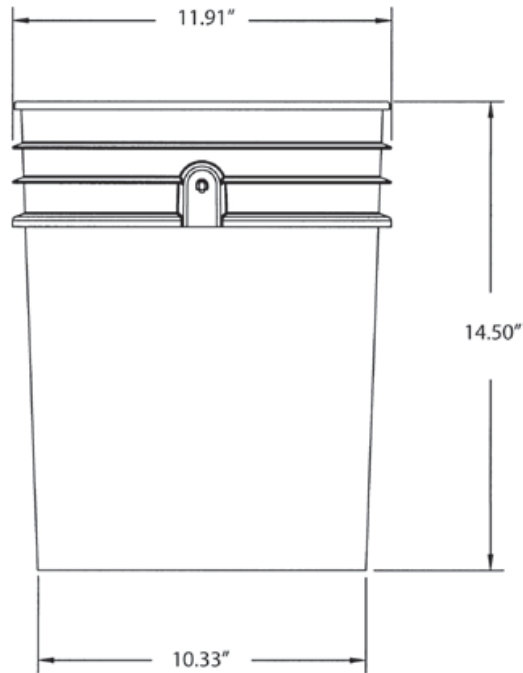




# 105912

5 gal. White HDPE Pail with HDPE Handle  
K.G. International - sales@kgint.com - +1 305 499-9816



### SPECIFICATIONS

Height.....	14.50"
Outer Diameter.....	11.91"
Thickness.....	90 mil
Print Area.....	31" x 8.25"
Resin.....	HDPE

### VOLUME

Practical Fill.....	5.10 gal. / 19.30 liters
Overflow.....	5.40 gal. / 20.44 liters

### PACKAGING

Pack Count.....	120
Pack Dimensions.....	48.9" x 36.6" x 49.6"
Cubic Feet.....	51.3
Packs per Pallet.....	2

### ORDER QUANTITIES (53' Truckload)

5DM with compatible lids.....	6,720 bases & lids
-------------------------------	--------------------